

96-1 Hinge

Lift-off · Offset · Zinc

Features

- Allows for quick, easy door removal
- Door can also be permanently installed

Installation Notes

- Screws not supplied
- Recommended tightening torque for mounting screws: 1.1 N.m
- Calculate screw length using the formula: Door / frame thickness +5

Material

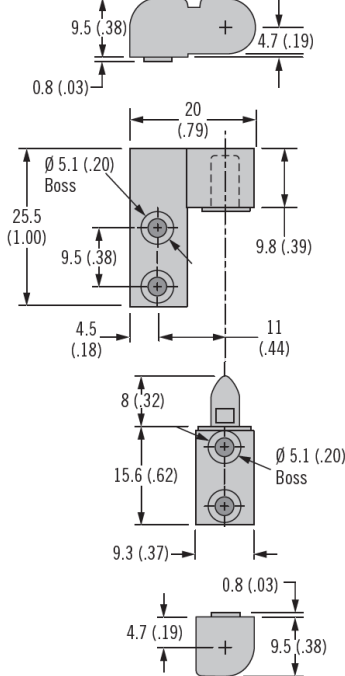
- Zinc alloy, black powder coated

Product Performance

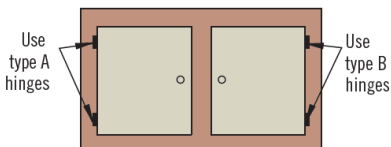
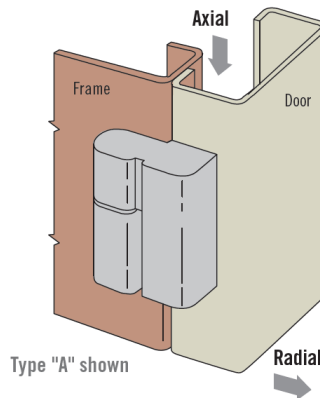
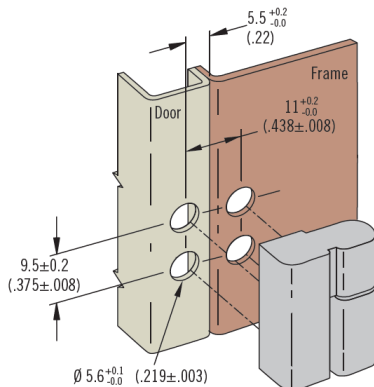
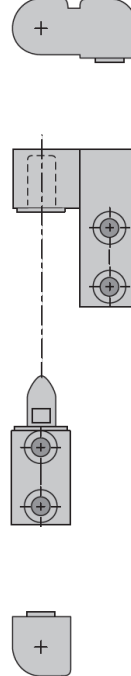
- Radial load:
 - Maximum static load: 1,100 N
 - Average ultimate load: 3,300 N
- Axial load:
 - Maximum static load: 1,250 N
 - Average ultimate load: 2,600 N



Offset Type A



Offset Type B



| Tapped Hole | Part Number | |
|-----------------|-------------|--------|
| | Type A | Type B |
| Imperial 6-32 | 96-111 | 96-112 |
| Metric M4 x 0.7 | 96-141 | 96-142 |

southco®

We are proud to be Southco's authorized distributor of over 20 years